

# Electric Towel Rail

## Installation Guide



SOLARA

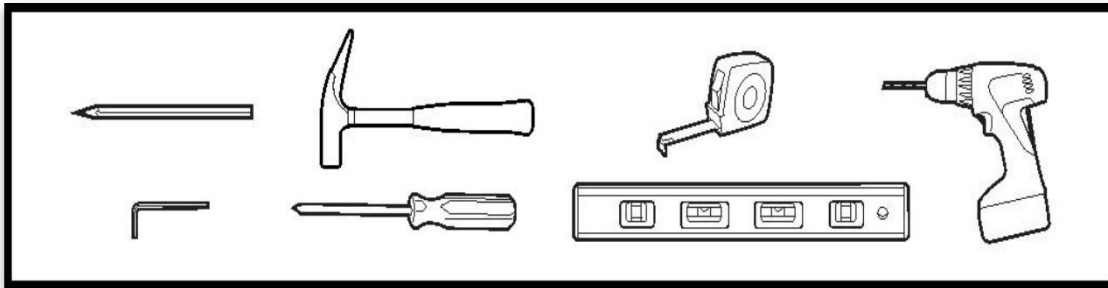
**Please read this instruction carefully before installation and operation.**



**Warning: This device must be installed by a licensed electrician.**

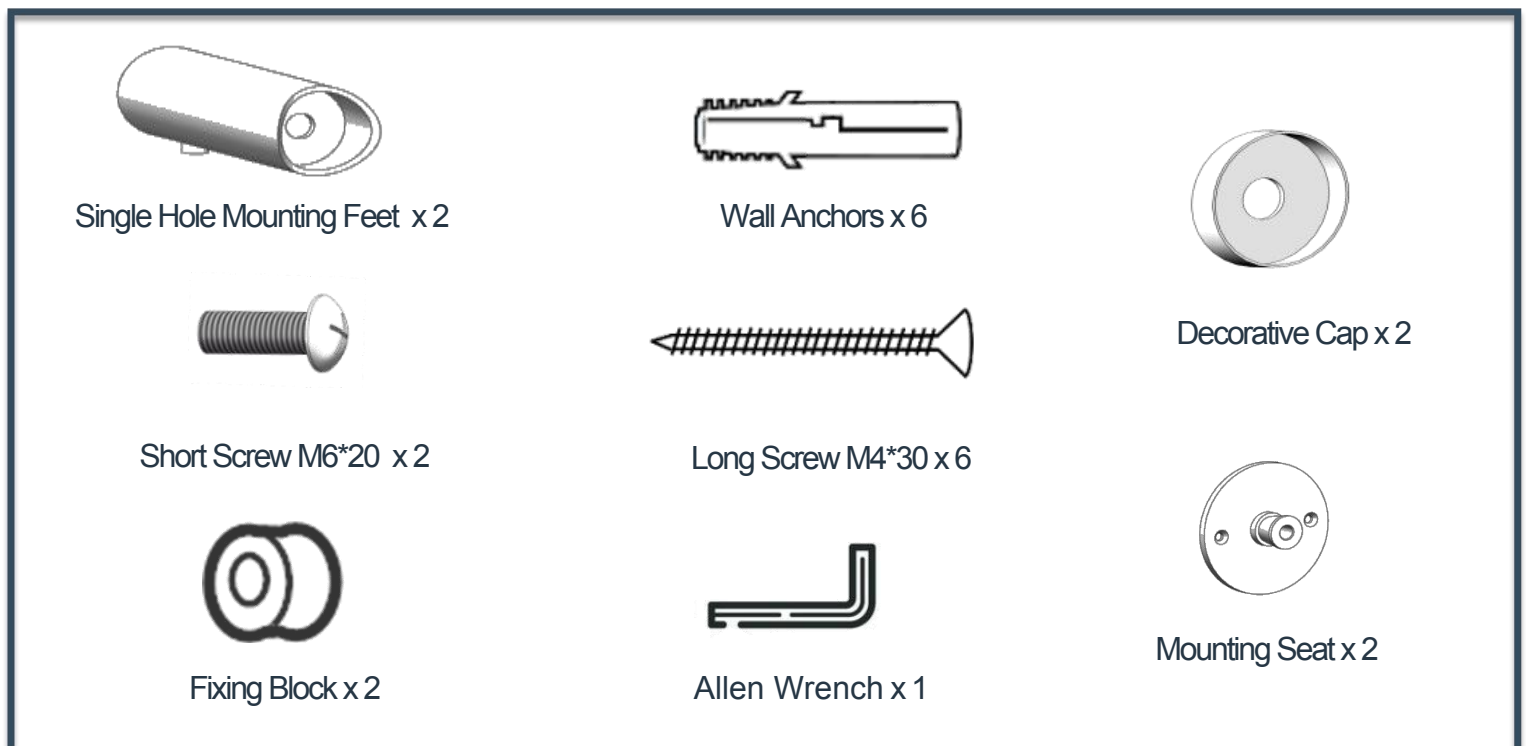
- This Towel Rail is not intended for use by persons (including children) with reduced physical, sensory or mental capabilities, or lack of experience and knowledge, unless they have been given supervision or instruction concerning use of the Towel Rail by a person responsible for their safety.
- In order to avoid a hazard, this Towel Rail must be installed so that the bottom rail is at least 600mm above the floor.
- This Towel Rail is intended to warm and dry towels and therefore is hot to the touch.
- The towel rail is to be installed so that switches and other controls cannot be touched by a person in the bath or shower.
- To avoid a hazard this towel rail must not be used to hold towels or any other articles that have been in contact with oil, petroleum based products or dry cleaning fluids.
- Use this Towel Rail only with the voltage specified on the rating label.
- Do not immerse in liquid or allow liquid to run into the interior of the Towel Rail. Indoor use only.
- Do not operate this towel rail if damaged or after the Towel Rail malfunctions or has been dropped or damaged in any manner. Return to a qualified electrical person for examination, electrical service or repair.
- Use this Towel Rail only as described in this manual. Any other use is not recommended by the manufacturer and may cause fire, electrical shock or injury.
- Do not use this Towel Rail in a window as rain may cause electric shock.

## TOOLS REQUIRED



- Pencil
- Hammer
- Measuring Tape
- Hex key
- Screw driver
- Spirit level
- Electric drill

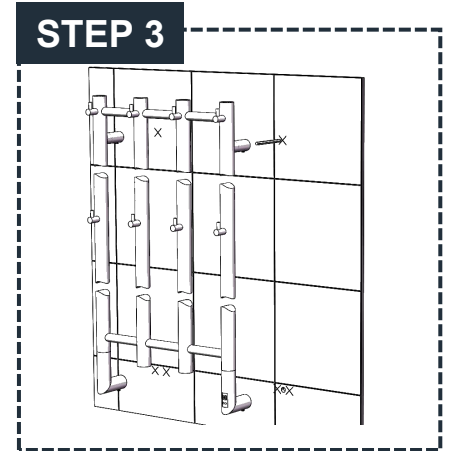
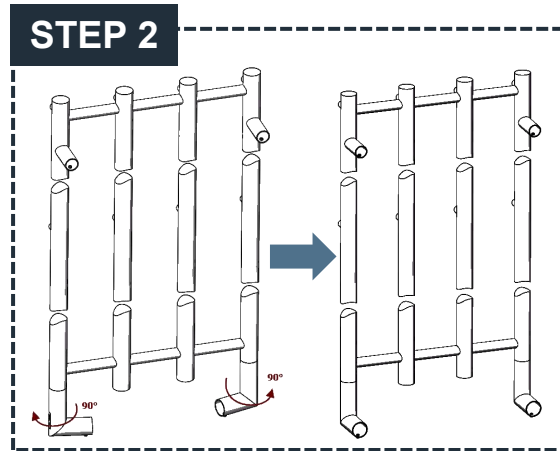
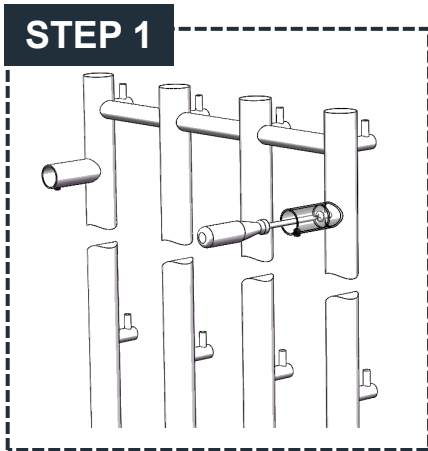
## ACCESSORIES



## TECHNICAL SPECIFICATIONS

Code	Size	Color	Power	Voltage
ESLRB	1500*400mm	Brushed Brass	130W	230VAC,50HZ
ESLRC	1500*400mm	Polished	130W	230VAC,50HZ
ESLRG	1500*400mm	Brushed Gun metal	130W	230VAC,50HZ
ESLRK	1500*400mm	Black	145W	230VAC,50HZ

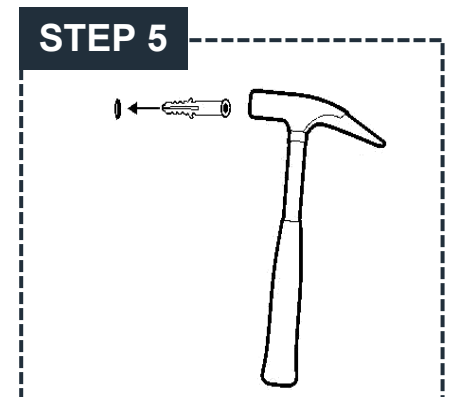
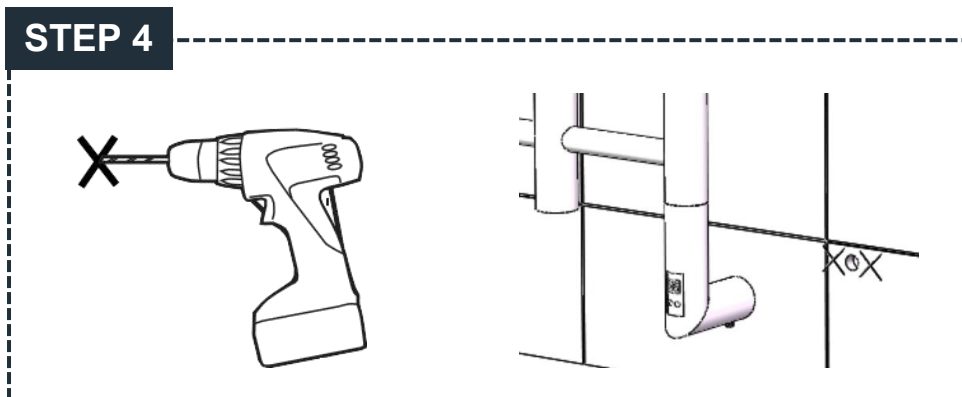
Please follow the below installation steps to complete the towel rail installation.



**STEP 1:** Fix two single-hole mounting feet to the threaded holes on the vertical tubes, then use a screwdriver to tighten the M6\*20 mounting screws.

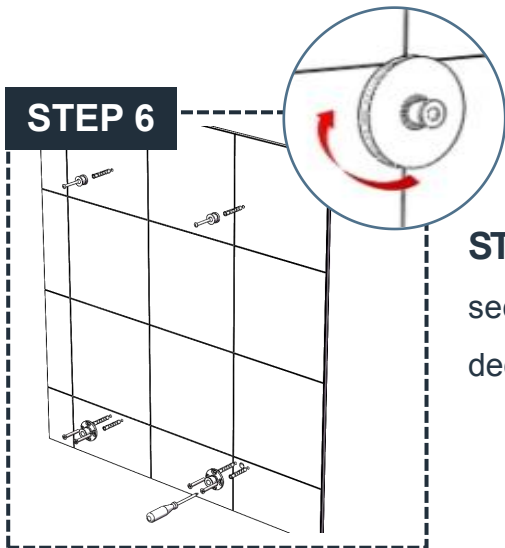
**STEP 2:** Rotate the two mounting feet at the bottom of the towel rail 90 degrees to be perpendicular to the wall.

**STEP 3:** Select the desired position, then utilize a measuring tape to determine the distance between the center points of each wall bracket tube, and mark the location with a pencil.

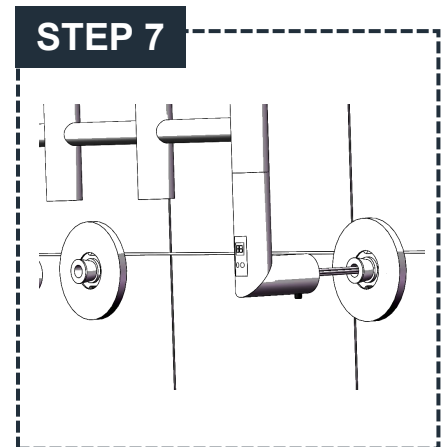


**STEP 4:** Make the holes with an electric driller; Be sure to drill a hole for the core cable going from the leg to the wall on the right lower mounting feet.

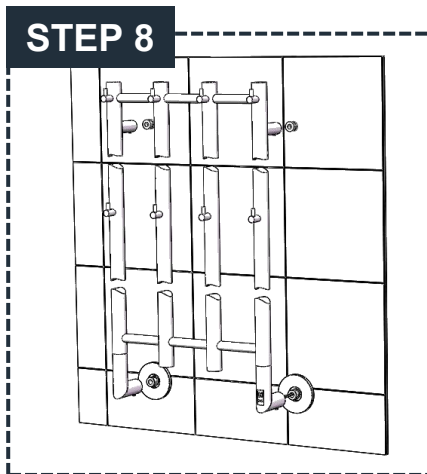
**STEP 5:** Use a hammer to knock plastic wall anchors into wall completely.



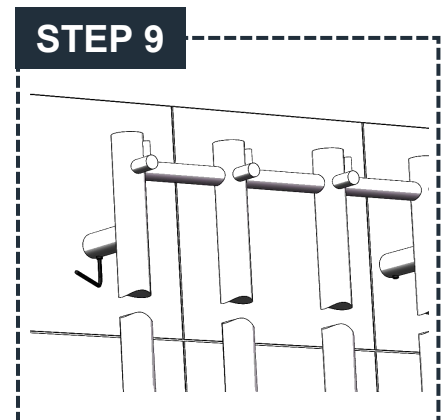
**STEP 6:** Insert the long screws through the mounting seats and then secure them into the plastic wall anchors with a electric drill. Place the decorative caps onto the mounting seats and tighten them.



**STEP 7:** Connect the core wire from the leg to the power wire inside the wall.



**STEP 8:** Lie the towel rail against the mounting seats fixed on the wall.

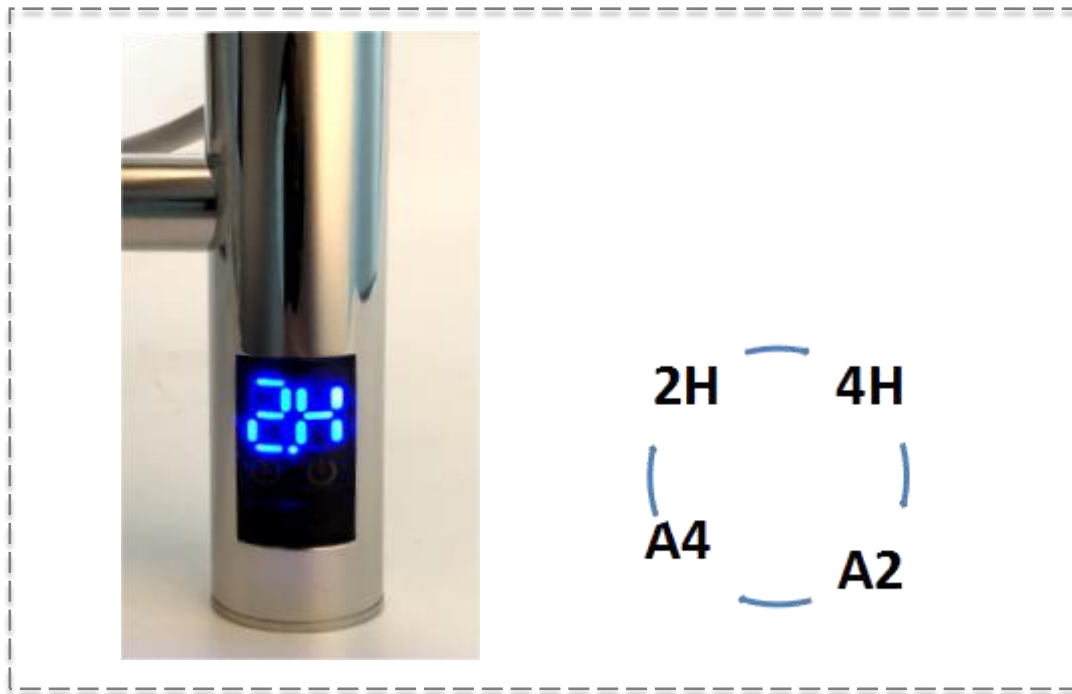


**STEP 9:** Use the Allen wrench to install the hex screws into the holes of all the tubes to complete the installation.




**Warning:** To prevent potential safety hazards, it is recommended that grounding and short circuit measurements be performed after installation of the device. This should be done by a licensed electrician.



## HOW TO USE THE TIMER ON THE TOWEL RAIL?



### TIMER working mode :

- 1) Consistent 24 hours ON.
- 2) 2H: 2 hours ON, timer will countdown(2H-1H) and stop working automatically after 2 hours.
- 3) 4H: 4 hours ON, timer will countdown(4H-3H-2H-1H) and stop working automatically after 4 hours.
- 4) A2( Automatic working mode), 2 hours ON, 2 hours OFF, then 2 hours ON and 2 hours OFF automatically working as circulation way, timer will countdown automatically(A2-A1).
- 5) A4( Automatic working mode), 4 hours ON, 4 hours OFF, then 4 hours ON and 4 hours OFF automatically working as circulation way, timer will countdown automatically(A4-A3-A2-A1).

Only Pressing the right button  on the display, it is power on and simultaneously it will be working for consistent 24 hours, ON showing on the digital screen.

If you want to use the boost TIMER working by hours, then press the left button  , you can select **2H- 4H- A2- A4** (as above description), a blue cursor  between two words on the display will flash to indicate the rail is beginning to work under current selected TIMING mode.